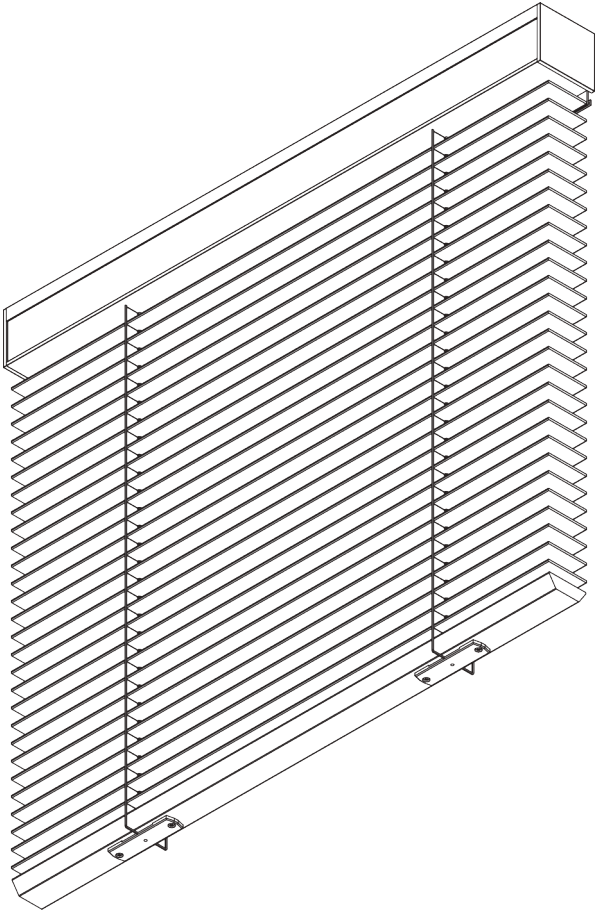
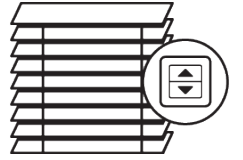


SG 8960



PRODUCT INFORMATION

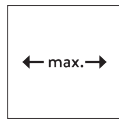
- **Operation:** motorised
- **Range:** L
- **Fitting:** ceiling, wall
- **Colours:** refer to Silent Gliss slat collection

Features:

- Optimised light control
- Various control options
- Wood, aluminium and leather slats
- Slat width: 50 mm
- Headrail slat cover
- Choice of ladder cord or decorative slat tape

SYSTEM SPECIFICATIONS

A. SYSTEM DIMENSIONS



Wood / Leather: 2.4 m
Aluminium: 3.6 m



65 cm



Wood / Leather: 2.75 m
Aluminium: 3.6 m



Wood / Leather: 4.6 m²
Aluminium: 10 m²

Slat stack heights

Note: stack size will be larger when tapes are used

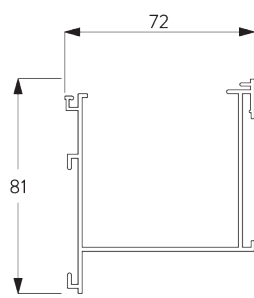
Wooden			max.							
Slat height (mm)	X	Slat width (mm)								
		60	90	120	150	180	210	240	275	
50 mm	X	12	15	17	20	22	25	27	30	
(cm)										

Leather			max.							
Slat height (mm)	X	Slat width (mm)								
		60	90	120	150	180	210	240	275	
50 mm	X	16	18	20	22	24	26	28	30	
(cm)										

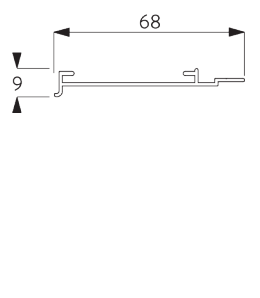
Aluminium			max.			
Slat height (mm)	X	Slat width (mm)				
		100	200	300	360	
50 mm	X	10	13	17	20	
(cm)						

B. PROFILE

Profile information

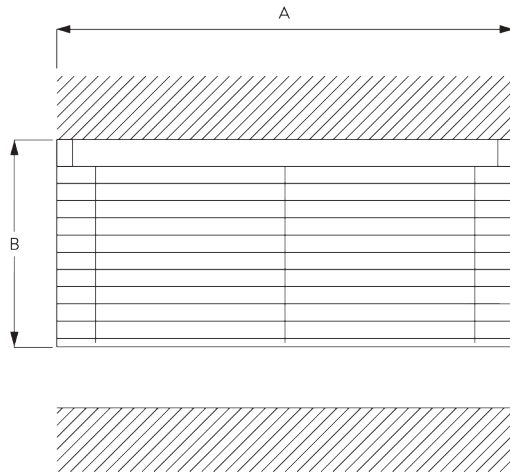


SG 8935
Profile



SG 8936
Profile

**C. HOW TO
MEASURE**



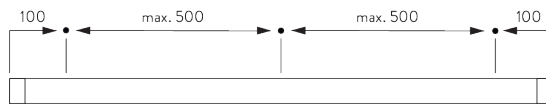
A: System width
B: System height

FITTING

**A. FITTING
INFORMATION**

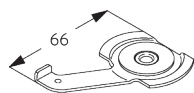
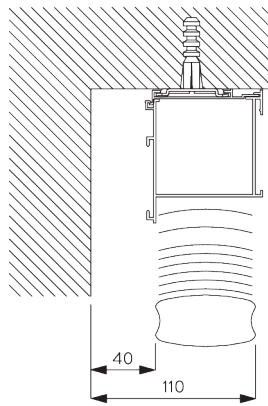
For detailed fitting information, visit the *Silent Gliss* website.

Fixing points



B. CEILING FITTING

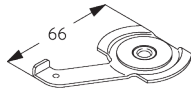
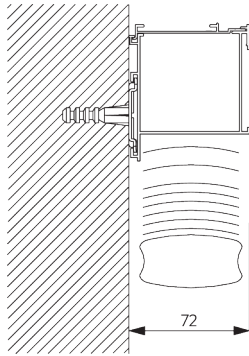
Clamp SG 3003



SG 3003
Clamp

C. WALL FITTING

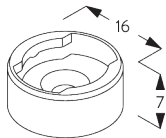
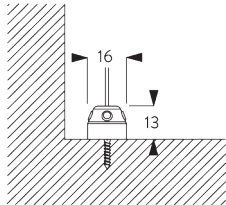
Clamp SG 3003



SG 3003

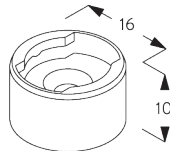
Clamp

D. FITTING WITH SIDE GUIDE OPTION



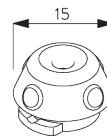
SG 8235

Side guide wire base short



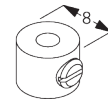
SG 8236

Side guide wire base long



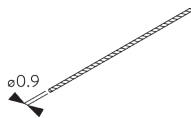
SG 8237

Side guide wire holder



SG 8249

Side guide device

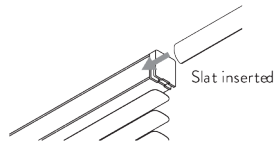


SG 10120

Side guide wire \varnothing 0.9 mm

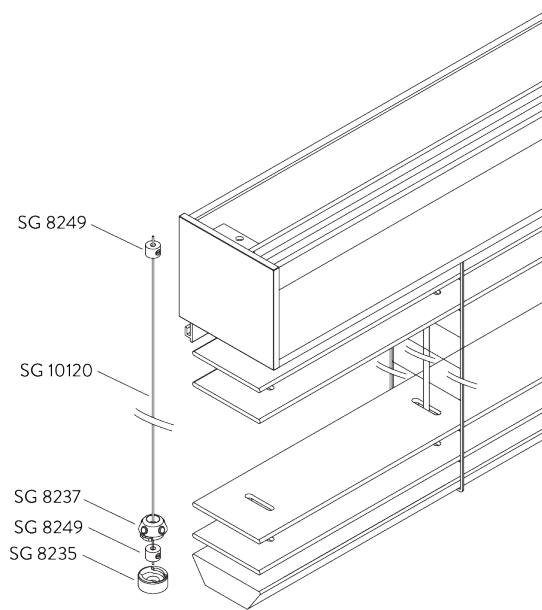
SYSTEM OPTIONS

A. HEADRAIL SLAT COVER



- A slat is inserted into the headrail for perfect matching of colours and materials to avoid the need to fit a cumbersome valance.
- For leather slat blinds there is the option of a leather covered headrail at an additional cost.
- Leather covered slats cannot be specified with decorative (external) slat tapes. The blind hardware is supplied matching the slat colour.

B. SIDE GUIDES



Additional parts:

- 2x SG 8235 Side guide wire base short
- 2x SG 8237 Side guide wire holder
- 4x SG 8249 Side guide device
- 2x SG 10120 Side guide wire \varnothing 0.9 mm

Note:

- Up to 15° from vertical

MOTOR & CONTROLS

A. MOTOR FEATURES

Motors	SG 11095	SG 11096
Motor Features		
Soft start / stop	•	•
Built-in receiver		•
Electronic end-stop	•	•
Electronic revolution counter (unlimited revolution)	•	•
Intermediate positions possible		•
Noiseless stop	•	•
IP class	IP 54	IP 54
Control Features		
Mains power control	•	
SG Control L (built-in receiver)		•
Suitable for most major home automation systems (with suitable interface)	•	•

B. MOTOR SPECIFICATIONS

Motors	Voltage	Current	Frequency	Speed	Frequency receiver
SG 11095	230 V AC	0.5 A	50 Hz	35 rpm	n/a
SG 11096	230 V AC	0.5 A	50 Hz	35 rpm	868 MHz

See website for wiring diagram.

C. OPERATING METHODS

See catalogue "controls" for details.

Wall Switch



System can be operated by fixed wall switch.

SG Control L



Various radio hand-held and wall transmitters available.



Silent Gliss Move App.


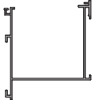

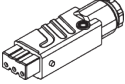
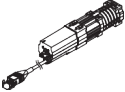
D. WIRING DIAGRAMS



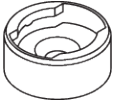

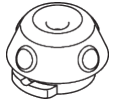
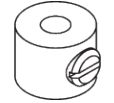
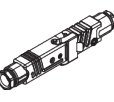
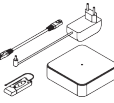
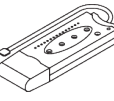

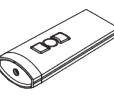
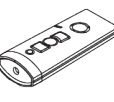
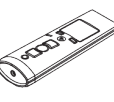
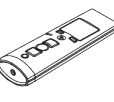


Refer to Silent Gliss website.


PARTS

A. STANDARD PARTS

	SG 3003 Clamp
	SG 8935 Profile
	SG 8936 Profile
	SG 9917 Hirschmann portable socket-outlet STAK 3 N
	SG 11095 Motor 230V AC, JA 04/35 comfort

B. OPTIONAL PARTS

	SG 8235 Side guide wire base short
	SG 8236 Side guide wire base long
	SG 8237 Side guide wire holder
	SG 8249 Side guide device
	SG 9916 Hirschmann plug set
	SG 9960 Move server set
	SG 9961 Move transmitter
	SG 10120 Side guide wire ø 0.9 mm
	SG 10300 Radio hand held 1 channel
	SG 10302 Radio hand held 5+1 channel
	SG 10303 Radio hand held 10+2+1 channel
	SG 10804 Radio hand held 15+5+1 channel
	SG 11096 Motor 230V AC, JA 04/35 comfort, radio receiver
	SG 11480 Radio wall transmitter 1 channel

	SG 11490 Radio wall transmitter 5+1 channel
---	---

