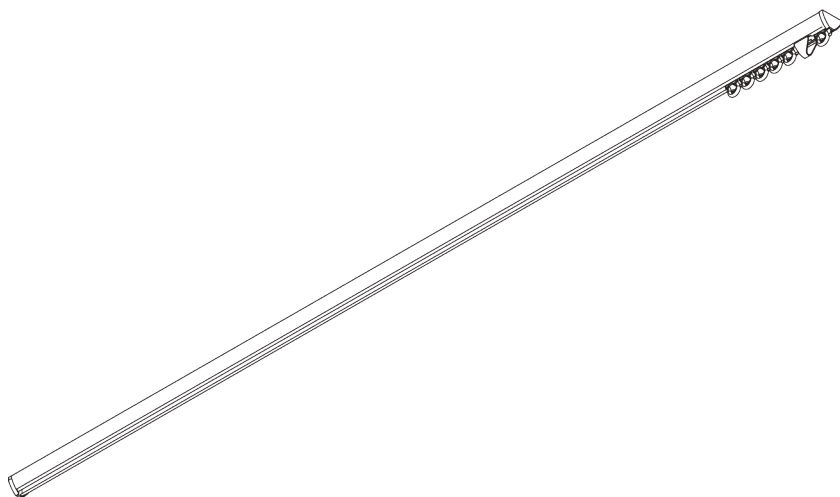


SG 1060



PRODUCT INFORMATION

- **Operation:** hand
- **Range:** S
- **Fitting:** ceiling
- **Colours:** white RAL 9016 or anodised aluminum, special colours possible
- **Fabrics:** refer to Silent Gliss fabric collection

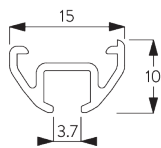
Features:

- Bendable

SYSTEM SPECIFICATIONS

A. PROFILE

Profile and bending information

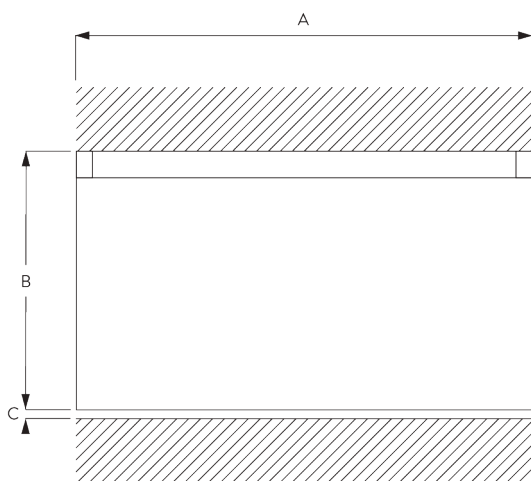


SG 1060p

Profile

Radius:
✓ 6 cm, 10 cm, 12 cm,
20 cm, >30 cm

B. HOW TO MEASURE



A: System width

B: System height

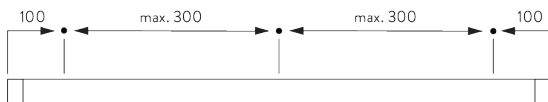
C: Distance between floor and fabric

FITTING

A. FITTING INFORMATION

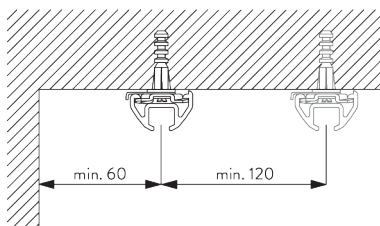
For detailed fitting information, visit the [Silent Gliss website](#).

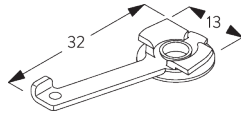
Fixing points



B. CEILING FITTING

Clamp SG 3060




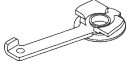
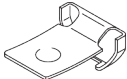

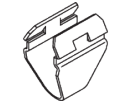




SG 3060


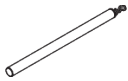
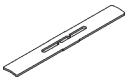
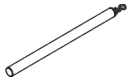

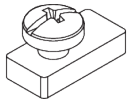



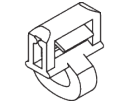
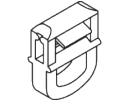






Clamp

PARTS

A. STANDARD PARTS

	SG 1060p Profile
	SG 3060 Clamp
	SG 3061 End cover
	SG 3070 End stop
	SG 3085 Spring stop
	SG 3533 Glider
	SG 3599 Hook

B. OPTIONAL PARTS

	SG 3012 Hook		SG 10433 Draw rod 125 cm
	SG 3062 Connection bridge		SG 10434 Draw rod 150 cm
	SG 3511 Glider		SG 11335 End stop
	SG 3534 Glider 3533 on strip		
	SG 3535 Glider		
	SG 3537 Glider		
	SG 3547 Glider		
	SG 3548 Glider		
	SG 3549 Click glider with hook		
	SG 3582 Hook		
	SG 3598 Eyelet		
	SG 10430 Draw rod 50 cm		
	SG 10431 Draw rod 75 cm		
	SG 10432 Draw rod 100 cm		